

**Type PMA-KS-01-SOS (formerly PKA-04)**  
**Panel Mount Fuse Holder**  
**1/4" x 1 1/4" (6.3 x 32mm) Fuses**  
**Knob / Screw**



www.optifuse.com (619) 593-5050

**Electrical Rating:** 10A, 250V AC

**Fuse Style:** 1/4" x 1 1/4" (6.3 x 32mm)

**Material:**

**Frame and Cap:** Bakelite

**Terminals:** Nickel-plated copper alloy

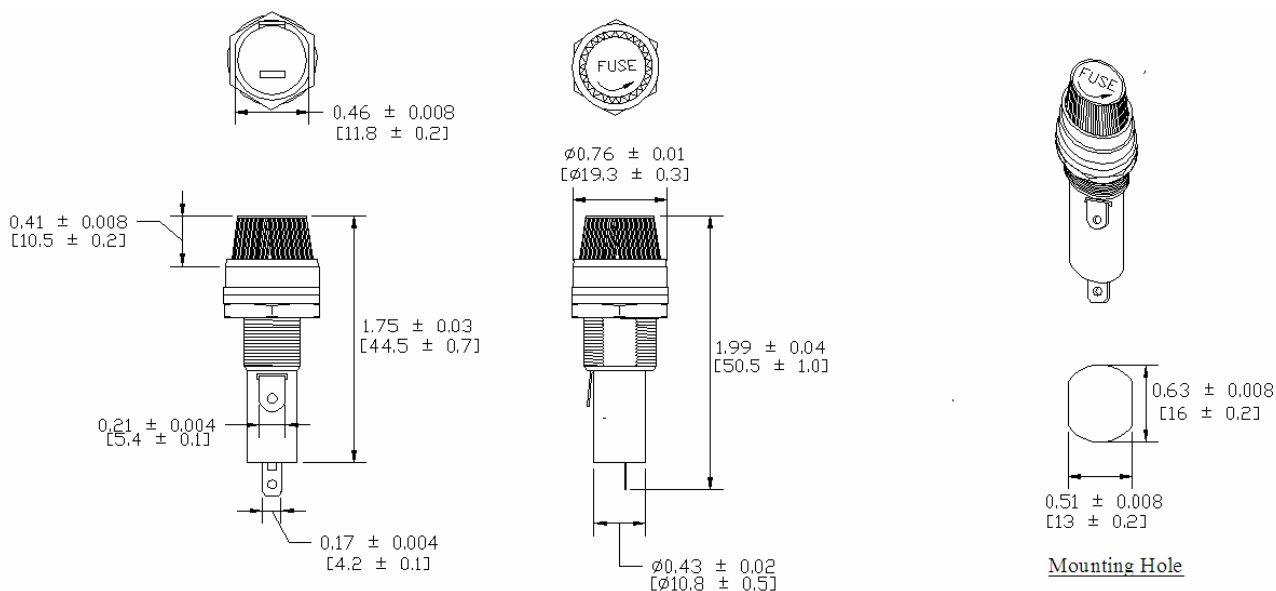
**Cap:** Knob type, Screw type

**Mounting:** by metal nut and white plastic washer

**Terminal:** Solder 5.4mm / 0.21",

**Panel Thickness:** 0.5 ~ 4.5mm

**Product Dimensions: Inches [mm]**



**Warning:**



- Operation beyond the specified maximum ratings or improper use may result in damage and possible electrical arcing and/or flame.
- Fuse Holders are not intended for circuit disconnect. All power should be disconnected before removing fuse.
- Avoid contact of Fuse Holder with chemical solvent. Prolonged contact may damage the device performance.