



LAYOUT SHOWN AS EXAMPLE

Keying Shown as example

CHARACTERISTICS

- Standard : Based on MIL-DTL-38999 Series III
- Shell Material : Stainless Steel
- Shell Plating : Nickel
- Insulator : Thermoplastic
- Contacts : Copper Alloy
- Seals & Grommet : Silicon Elastomer
- Contact Plating : Gold over copper Alloy 0.8µm minimum
- Durability : 500 Mating cycles
- Delivered without Souriau contacts
- Temperature Range : -65°C to +200°C
- Salt Spray : 500 hours
- Mass : 90.99 g ± 10%

| Connector dimension | |
|---------------------|---------------|
| Dim | Nominal |
| P | 3.91±0.2 |
| PP | 6.15±0.2 |
| R1 | 38.1 |
| R2 | 34.93 |
| S | 46±0.3 |
| V | 20.07+0/-1.25 |
| W | 2.1/3.2 |
| Z | 31.5 Max |
| VV THREAD | M37x1-6g |

SOURIAU shall not be liable for any non-conformity or damage due to a use of the Products which does not comply with the Specifications issued by either of the Parties or by a third party (professional recommendation, technical notice.)

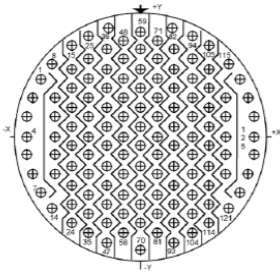
| Country | Jurisdiction & Control List |
|---------|-----------------------------|
| FR | Not Listed |

PN: 8D025S35PCL

| | | | |
|----------------|---|--------------------------------|---|
| A | 17-10-2016 | First Release | |
| ISS | DATE | Latest modification - by | MOD N° |
| Designed By: | | Date: | CUSTOMER DRAWING |
| TITLE | Stainless Steel Receptacle 8D series | | |
| SCALE | NA | General linear Tolerances: ±-- | NPRDS / PROJECT 859 |
| SOURIAU | WWW.SOURIAU.COM | | This document is the property of SOURIAU it must not be reproduced or communicated without permission |
| FORMAT | A3 | | SOURIAU DRG N° 8D025S35PCL-C |
| | | | SHEET 1/2 |

| | | | | | | | | | | |
|----------------|--------------------------|---|---|----|---|----|---|---|---|---------------------------------|
| BASIC SERIES: | 8D | 0 | - | 25 | S | 35 | P | C | L | Delivered W/O Contacts |
| SHELL TYPE : | Square Flange Receptacle | | | | | | | | | ORIENTATION : C |
| CONTACT TYPE : | Standard Crimp Contact | | | | | | | | | CONTACT TYPE : PIN(500 Matings) |
| SHELL SIZE : | 25 | | | | | | | | | CONTACT LAYOUT : 25-35 |
| PLATING : | S = Nickel | | | | | | | | | |

Contact Layout

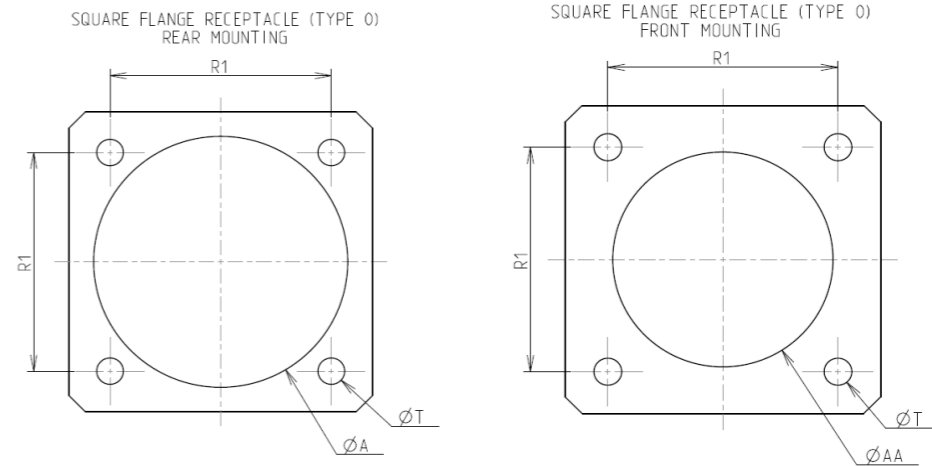


| Contacts (Insert arrangement 25-35) | | | | | |
|--|--------------|--------------|---------------------|--------------|--------------|
| Contact position ID | Location | | Contact position ID | Location | |
| | X-axis (mm) | Y-axis (mm) | | X-axis (mm) | Y-axis (mm) |
| 1 | -479 (12.17) | +279 (7.09) | 65 | +000 (0.00) | -047 (1.19) |
| 2 | -520 (13.21) | +190 (4.83) | 66 | +000 (0.00) | -142 (3.61) |
| 3 | -546 (13.87) | +095 (2.41) | 67 | +000 (0.00) | -237 (6.02) |
| 4 | -555 (14.10) | +000 (0.00) | 68 | +000 (0.00) | -332 (8.43) |
| 5 | -546 (13.87) | -095 (2.41) | 69 | +000 (0.00) | -427 (10.85) |
| 6 | -520 (13.21) | -190 (4.83) | 70 | +000 (0.00) | -555 (14.10) |
| 7 | -479 (12.17) | -279 (7.09) | 71 | +083 (2.11) | +475 (12.07) |
| 8 | -424 (10.77) | +357 (9.07) | 72 | +083 (2.11) | +380 (9.65) |
| 9 | -415 (10.54) | +190 (4.83) | 73 | +083 (2.11) | +285 (7.24) |
| 10 | -415 (10.54) | +095 (2.41) | 74 | +083 (2.11) | +190 (4.83) |
| 11 | -415 (10.54) | 000 (0.00) | 75 | +083 (2.11) | +095 (2.41) |
| 12 | -415 (10.54) | -095 (2.41) | 76 | +083 (2.11) | +000 (0.00) |
| 13 | -415 (10.54) | -190 (4.83) | 77 | +083 (2.11) | -095 (2.41) |
| 14 | -424 (10.77) | -357 (9.07) | 78 | +083 (2.11) | -190 (4.83) |
| 15 | -332 (8.43) | +444 (11.28) | 79 | +083 (2.11) | -285 (7.24) |
| 16 | -332 (8.43) | +332 (8.43) | 80 | +083 (2.11) | -380 (9.65) |
| 17 | -332 (8.43) | +237 (6.02) | 81 | +083 (2.11) | -475 (12.07) |
| 18 | -332 (8.43) | +142 (3.61) | 82 | +160 (4.06) | +531 (13.49) |
| 19 | -332 (8.43) | +047 (1.19) | 83 | +166 (4.22) | +427 (10.85) |
| 20 | -332 (8.43) | -047 (1.19) | 84 | +166 (4.22) | +332 (8.43) |
| 21 | -332 (8.43) | -142 (3.61) | 85 | +166 (4.22) | +237 (6.02) |
| 22 | -332 (8.43) | -237 (6.02) | 86 | +166 (4.22) | +142 (3.61) |
| 23 | -332 (8.43) | -332 (8.43) | 87 | +166 (4.22) | +047 (1.19) |
| 24 | -332 (8.43) | -427 (10.85) | 88 | +166 (4.22) | -047 (1.19) |
| 25 | -249 (6.32) | +496 (12.60) | 89 | +166 (4.22) | -142 (3.61) |
| 26 | -249 (6.32) | +380 (9.65) | 90 | +166 (4.22) | -237 (6.02) |
| 27 | -249 (6.32) | +285 (7.24) | 91 | +166 (4.22) | -332 (8.43) |
| 28 | -249 (6.32) | +190 (4.83) | 92 | +166 (4.22) | -427 (10.85) |
| 29 | -249 (6.32) | +095 (2.41) | 93 | +166 (4.22) | -522 (13.26) |
| 30 | -249 (6.32) | +000 (0.00) | 94 | +249 (6.32) | +496 (12.60) |
| 31 | -249 (6.32) | -095 (2.41) | 95 | +249 (6.32) | +380 (9.65) |
| 32 | -249 (6.32) | -190 (4.83) | 96 | +249 (6.32) | +285 (7.24) |
| 33 | -249 (6.32) | -285 (7.24) | 97 | +249 (6.32) | +190 (4.83) |
| 34 | -249 (6.32) | -380 (9.65) | 98 | +249 (6.32) | +095 (2.41) |
| 35 | -249 (6.32) | -475 (12.07) | 99 | +249 (6.32) | +000 (0.00) |
| 36 | -160 (4.06) | +531 (13.49) | 100 | +249 (6.32) | -095 (2.41) |
| 37 | -166 (4.22) | +427 (10.85) | 101 | +249 (6.32) | -190 (4.83) |
| 38 | -166 (4.22) | +332 (8.43) | 102 | +249 (6.32) | -285 (7.24) |
| 39 | -166 (4.22) | +237 (6.02) | 103 | +249 (6.32) | -380 (9.65) |
| 40 | -166 (4.22) | +142 (3.61) | 104 | +249 (6.32) | -475 (12.07) |
| 41 | -166 (4.22) | +047 (1.19) | 105 | +332 (8.43) | +444 (11.28) |
| 42 | -166 (4.22) | -047 (1.19) | 106 | +332 (8.43) | +332 (8.43) |
| 43 | -166 (4.22) | -142 (3.61) | 107 | +332 (8.43) | +237 (6.02) |
| 44 | -166 (4.22) | -237 (6.02) | 108 | +332 (8.43) | +142 (3.61) |
| 45 | -166 (4.22) | -332 (8.43) | 109 | +332 (8.43) | +047 (1.19) |
| 46 | -166 (4.22) | -427 (10.85) | 110 | +332 (8.43) | -047 (1.19) |
| 47 | -166 (4.22) | -522 (13.26) | 111 | +332 (8.43) | -142 (3.61) |
| 48 | -083 (2.11) | +475 (12.07) | 112 | +332 (8.43) | -237 (6.02) |
| 49 | -083 (2.11) | +380 (9.65) | 113 | +332 (8.43) | -332 (8.43) |
| 50 | -083 (2.11) | +285 (7.24) | 114 | +332 (8.43) | -427 (10.85) |
| 51 | -083 (2.11) | +190 (4.83) | 115 | +424 (10.77) | +357 (9.07) |
| 52 | -083 (2.11) | +095 (2.41) | 116 | +415 (10.54) | +190 (4.83) |
| 53 | -083 (2.11) | +000 (0.00) | 117 | +415 (10.54) | +095 (2.41) |
| 54 | -083 (2.11) | -095 (2.41) | 118 | +415 (10.54) | +000 (0.00) |
| 55 | -083 (2.11) | -190 (4.83) | 119 | +415 (10.54) | -095 (2.41) |
| 56 | -083 (2.11) | -285 (7.24) | 120 | +415 (10.54) | -190 (4.83) |
| 57 | -083 (2.11) | -380 (9.65) | 121 | +424 (10.77) | -357 (9.07) |
| 58 | -083 (2.11) | -475 (12.07) | 122 | +479 (12.17) | +279 (7.09) |
| 59 | +000 (0.00) | +522 (13.26) | 123 | +520 (13.21) | +190 (4.83) |
| 60 | +000 (0.00) | +427 (10.85) | 124 | +546 (13.87) | +095 (2.41) |
| 61 | +000 (0.00) | +332 (8.43) | 125 | +555 (14.10) | +000 (0.00) |
| 62 | +000 (0.00) | +237 (6.02) | 126 | +546 (13.87) | -095 (2.41) |
| 63 | +000 (0.00) | +142 (3.61) | 127 | +520 (13.21) | -190 (4.83) |
| 64 | +000 (0.00) | +047 (1.19) | 128 | +479 (12.17) | -279 (7.09) |

(Applicable to MIL-DTL-38999 only)

| Shell size | Arrangement no. | Number of contacts | Size contacts | Service rating | Contact location | Supersedes |
|------------|-----------------|--------------------|---------------|----------------|------------------|------------|
| 25 | -35 | 128 | 22D | M | All | MS27533-35 |

Panel Cutout



| Dim | Nominal |
|-----|------------|
| ØA | 42.47 min |
| ØAA | 37.69 min |
| R1 | 38.1 |
| ØT | 3.81 ±0.13 |

SOURIAU shall not be liable for any non-conformity or damage due to a use of the Products which does not comply with the Specifications issued by either of the Parties or by a third party (professional recommendation, technical notice.)

| Country | Jurisdiction & Control List |
|---------|-----------------------------|
| FR | Not Listed |

PN: 8D025S35PCL

| | | | |
|----------------|---|--------------------------------|---|
| A | 17-10-2016 | First Release | |
| ISS | DATE | Latest modification - by | MOD N° |
| Designed By: | | Date: | CUSTOMER DRAWING |
| TITLE | Stainless Steel Receptacle 8D series | | |
| SCALE | | General linear Tolerances: ±-- | NPRDS / PROJECT 859 |
| SOURIAU | WWW.SOURIAU.COM | | This document is the property of SOURIAU it must not be reproduced or communicated without permission |
| FORMAT | SOURIAU DRG N° 8D025S35PCL-C | | SHEET 2/2 |