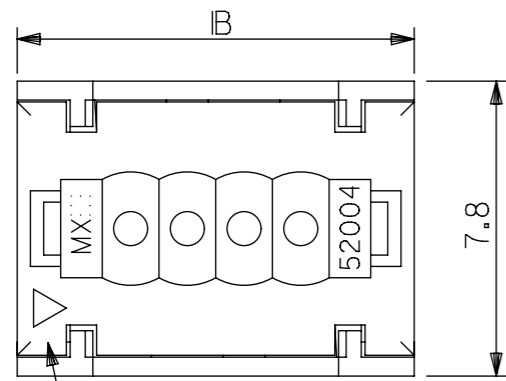
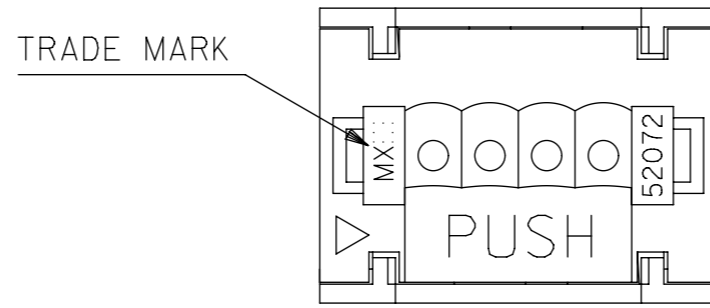


FOR 3~12CKTS.



FOR 13~17CKTS.

(ONLY COVER SHAPE IS DIFFERENT FROM 3~12CKTS.)



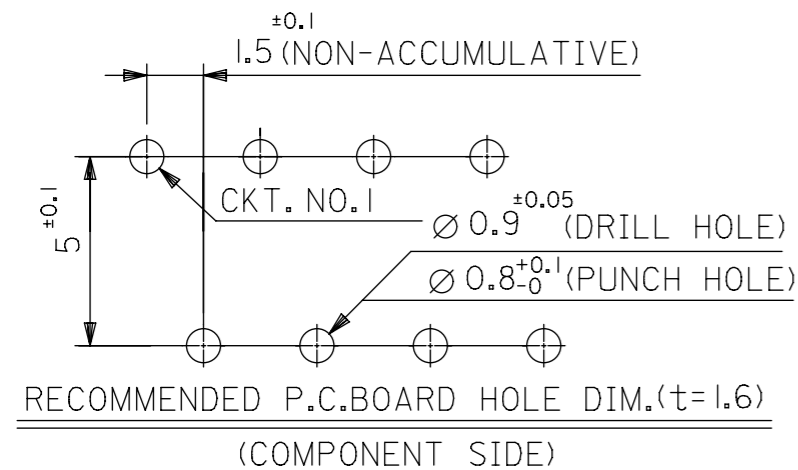
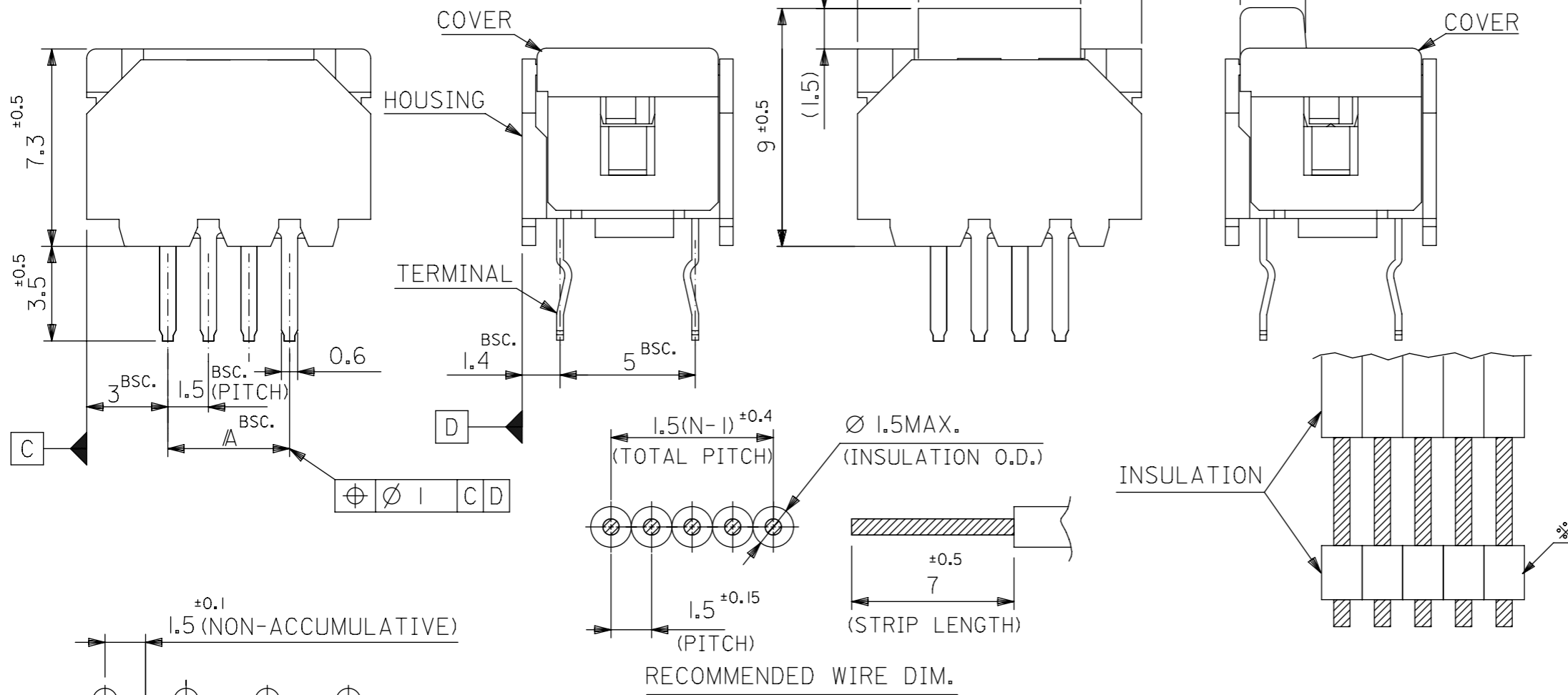
NOTES: 1. MATERIAL

TERMINAL: PHOS-BRO, TIN-PLATED. (t=0.254)
 HOUSING: PBT(15%G.F.), UL94V-0
 G.E. PLASTICS JAPAN LTD.
 VALOX DR-48 UL FILE NO. E45587
 COVER: PBT(30%G.F.), UL94V-0
 G.E. PLASTICS JAPAN LTD.
 VALOX 420-SEO UL FILE NO. E45587

2. APPLICABLE WIRE

1.5 PITCH RIBBON CABLE
 (UL2468, AWG#24~#26 TOP-COATED WIRE)

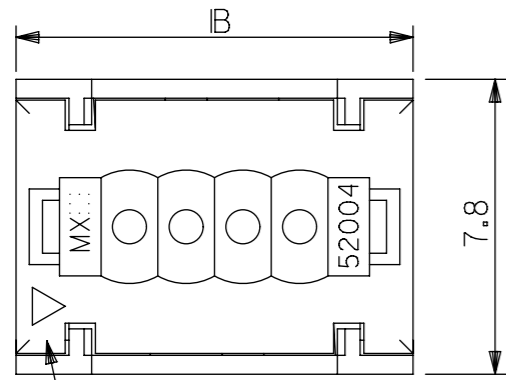
3. THE CABLE STRIPED AS SHOWN IN THE FIG.,
 ※ (MARKED INSULATION) PART SHOULD NOT
 BE PUSHED AND SLID DIRECTLY BY THE COVER,
 BECAUSE THE COVER MAY BE POSSIBLY PUSHED DOWN.



25.5	19.5	52004-1410	14
24	18	52004-1310	13
B	A	ENG. NO.	極数

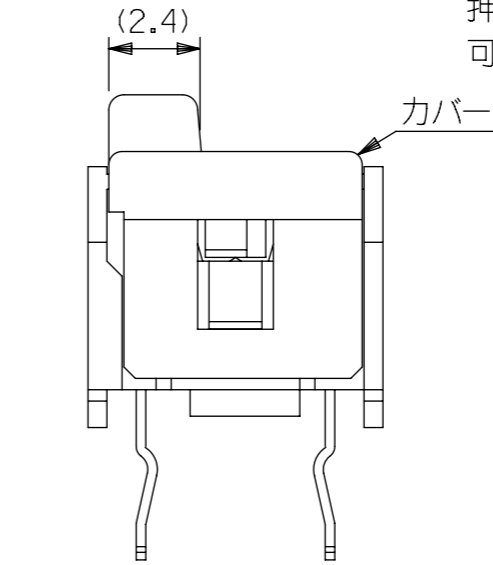
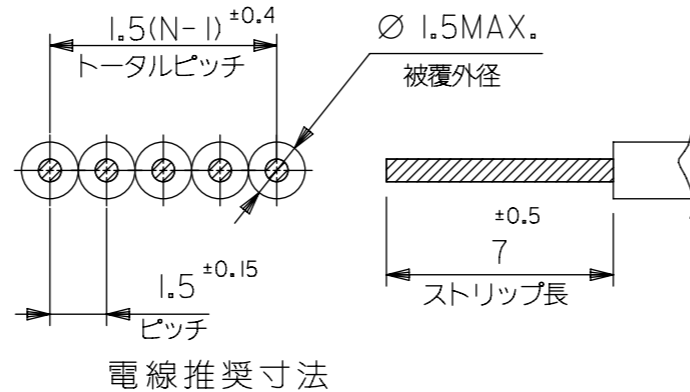
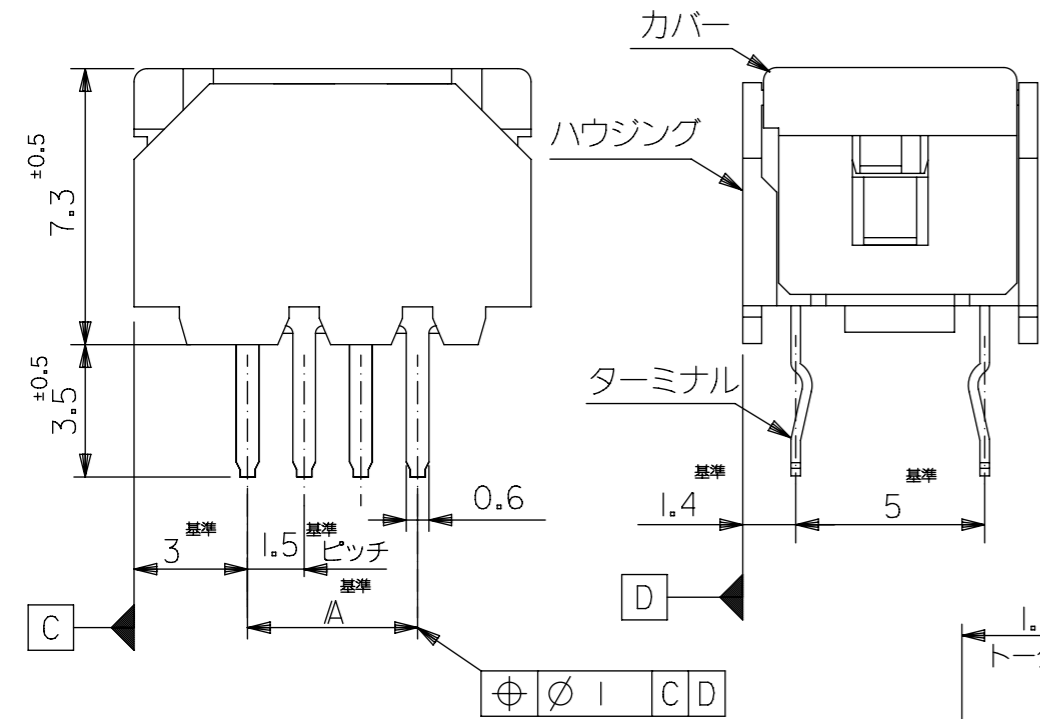
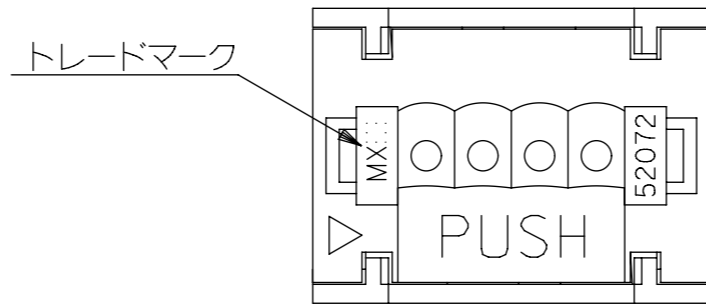
THIS DRAWING CONTAINS INFORMATION THAT IS PROPRIETARY TO MOLEX ELECTRONIC TECHNOLOGIES, LLC AND SHOULD NOT BE USED WITHOUT WRITTEN PERMISSION			
DIMENSION UNITS: mm		SCALE: 5:1	
CURRENT REV DESC:			
molex			
1.5 WIRE TRAP CONN.			
PRODUCT CUSTOMER DRAWING			
GENERAL TOLERANCES (UNLESS SPECIFIED)		EC NO: 628958	
4 PLACES ±		DRWN: AKUMAR19 2019/04/11	
3 PLACES ±		CHK'D: GGA 2020/01/16	
2 PLACES ±		APPR: GGA 2020/01/16	
1 PLACE ±		INITIAL REVISION:	
0 PLACES ±		DRWN: SKUNISHI 1986/08/27	
ANGULAR TOL ± 3.0°		APPR: MFUKUSHIMA 1993/01/18	
DRAFT WHERE APPLICABLE MUST REMAIN WITHIN DIMENSIONS		THIRD ANGLE PROJECTION	
10 UNDER ±0.2		DRAWING: A3-SIZE	
10 OVER 30 UNDER ±0.25		SERIES: 52004	
30 OVER ±0.3		MATERIAL NUMBER: SEE TABLE	
		CUSTOMER: GENERAL MARKET	
		SHEET NUMBER: 1 OF 2	

3極から12極の形状



回路NO. 1側マーク

13極から17極の形状
(カバーの形状のみ異なる)

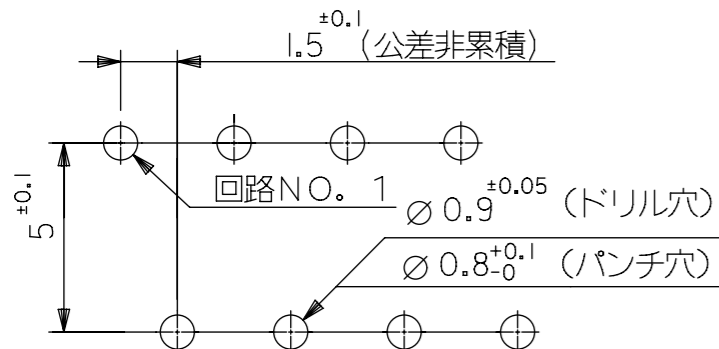


(注記) 1. 材質

ターミナル: 磷青銅材, 錫メッキ (t=0.254)
 ハウジング: PBT(15%G.F.), UL94V-0
 G.E. PLASTICS JAPAN LTD.
 VALOX DR-48 UL FILE NO. E45587
 カバー: PBT(30%G.F.), UL94V-0
 G.E. PLASTICS JAPAN LTD.
 VALOX 420-SEO UL FILE NO. E45587

2. 適用電線

- 5mmピッチリボンケーブル。
(UL2468、AWG#24~#26錫コート線)
- 下図の様な末端処理ケーブルにて、※部を直接カバーに押し付けスライドさせる使用法はカバーが押し下げられる可能性があるため不可。



取付穴推奨基板寸法 (t=1.6)
(取付面)

25.5	19.5	52004-1410	14
24	18	52004-1310	13
B	A	ENG NO	極数

THIS DRAWING CONTAINS INFORMATION THAT IS PROPRIETARY TO MOLEX ELECTRONIC TECHNOLOGIES, LLC AND SHOULD NOT BE USED WITHOUT WRITTEN PERMISSION

DIMENSION UNITS: mm		SCALE: 5:1		CURRENT REV DESC:							
GENERAL TOLERANCES (UNLESS SPECIFIED)				molex 1.5 WIRE TRAP CONN. PRODUCT CUSTOMER DRAWING							
4 PLACES		±						EC NO: 628958		2019/04/11	
3 PLACES		±						DRWN: AKUMAR19		2020/01/16	
2 PLACES		±						CHK'D: GGA		2020/01/16	
1 PLACE		±						APPR: GGA		2020/01/16	
0 PLACES		±		INITIAL REVISION:							
ANGULAR TOL		± 3.0°		DRWN: SKUNISHI		1986/08/27					
DRAFT WHERE APPLICABLE		MUST REMAIN WITHIN DIMENSIONS		APPR: MFUKUSHIMA		1993/01/18					
THIRD ANGLE PROJECTION		DRAWING		SERIES		MATERIAL NUMBER					
A3-SIZE		52004		SEE TABLE		GENERAL MARKET					
DOCUMENT NUMBER		DOC TYPE		DOC PART		REVISION					
SD-52004-XX10		PSD		001		G					
SHEET NUMBER		2 OF 2									

GENERAL TOLERANCES (UNLESS SPECIFIED)		
10 UNDER	±0.2	
10 OVER 30 UNDER	±0.25	
30 OVER	±0.3	