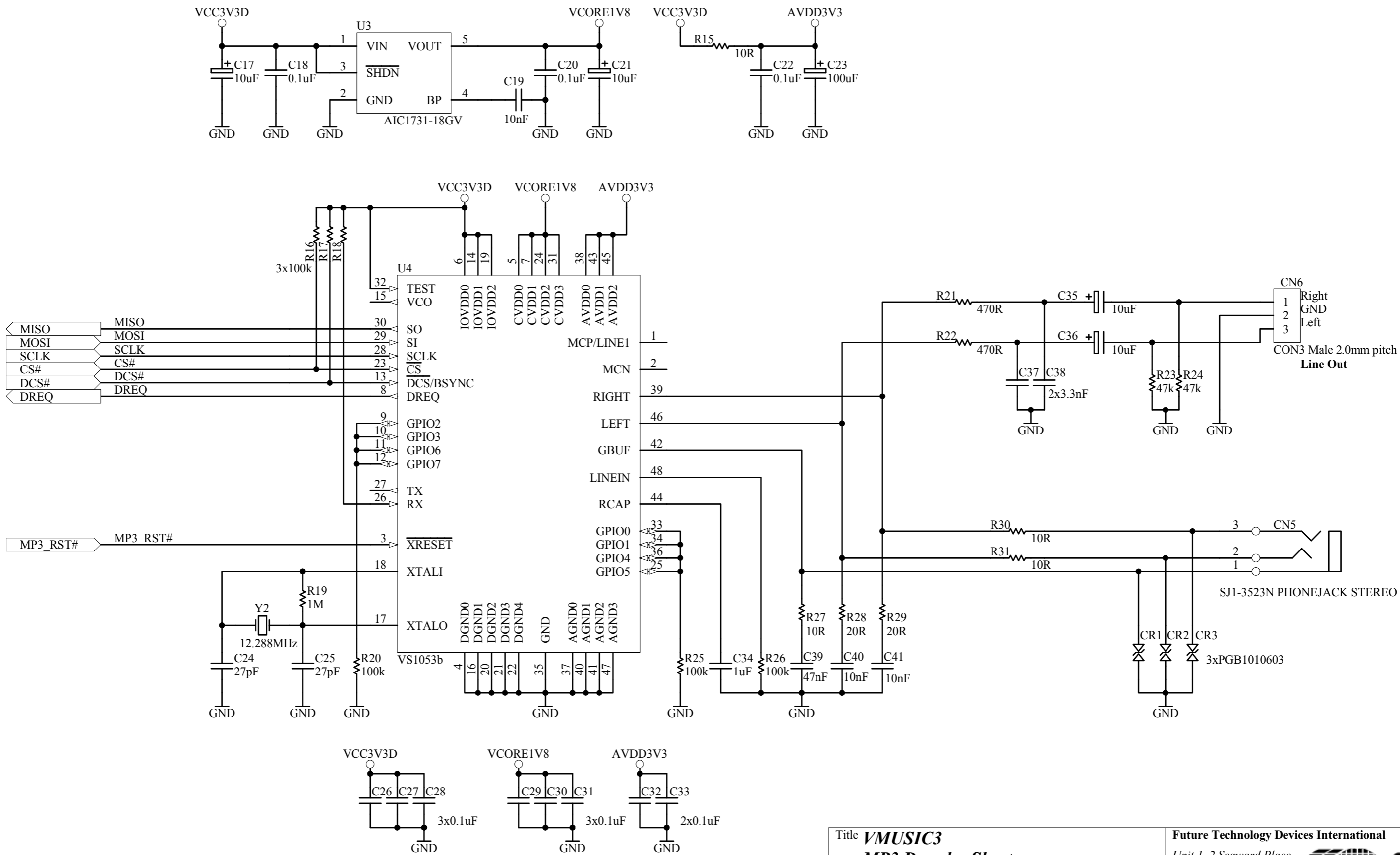



Debugger interface is accessible only when enclosure is opened.

| CN3 Serial Com. Mode Select | |
|--------------------------------|----------------|
| 1-2 | UART (Default) |
| 2-3 | SPI |

| | | | |
|-----------------------------------|----------------|---|--|
| Title VMUSIC3 | | Future Technology Devices International | |
| Communication Sheet | | Unit 1, 2 Seaward Place Centurion Business Park Glasgow | |
| Size: A4 | Number: HW_215 | Revision: 1.1 | |
| Date: 21/03/2013 | Time: 09:38:43 | Sheet 1 of 3 | |
| File: VMUSIC3-USB Rev1-1-1.SchDoc | | G41 1HH | |





| | | | |
|-----------------------------------|----------------|---|---|
| Title VMUSIC3 | | Future Technology Devices International | |
| MP3 Decoder Sheet | | Unit 1, 2 Seaward Place Centurion Business Park Glasgow | |
| Size: A4 | Number: HW_215 | Revision: 1.1 |  |
| Date: 21/03/2013 | Time: 09:38:43 | Sheet 2 of 3 | |
| File: VMUSIC3-MP3 Rev1-1-1.SchDoc | | | |

1

2

3

4

A

A

B

B

C

C

D

D

1

2

3

4